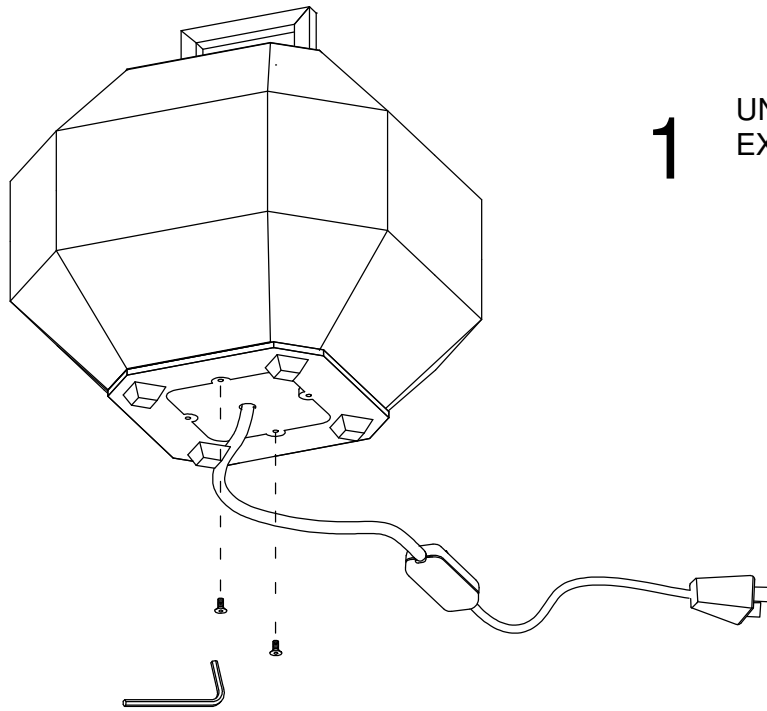
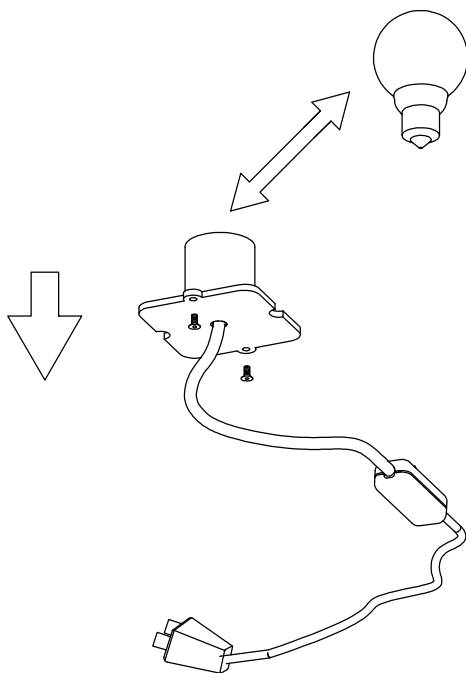


ISTRUZIONI INSTALLAZIONE - INSTALLING INSTRUCTIONS - INSTRUCTIONS DE MONTAGE



1

UNSCREW THE 2 SCREWS AND
EXTRACT THE LAMPHOLDER GROUP



2

INSERT THE BULB LAMP AND FIX THE GROUP
USING THE 2 SCREWS

